

Model 272635  
(KERNEL)  
**SAND BLAST CABINET**  
( 350L )  
ASSEMBLY & OPERATION  
INSTRUCTION  
(2<sup>nd</sup> version)



Jan. 2015

## **PRODUCT LIMITED WARRANTY**

The product is guaranteed for 12 months from date of manufacturer exporting invoice against defects in workmanship and /or materials for the structural components when the product is installed and used according to manufacturer's specifications.

Manufacturer's obligation under this warranty is limited to repairing or replacing any part or parts returned to manufacturer authorized locations, with prove of purchase, freight prepaid which prove upon inspection to be defective and which have not been misused.

Damage or failure to any part due to freight damage or faulty maintenance is not covered under this warranty. This warranty does not extend to defects caused by ordinary wear, abuse, misuse, improper installation or altered, unauthorized software updating, using improper fluid; any cosmetic defect not interfering with equipment functional or any incidental, indirect, or consequential loss that may result from any defect, failure or malfunction of the product or the breath or delay in performance of the warranty. This warranty does not apply to any product, which has been altered or used with special attachments other than recommended by the manufacturer.

All faults due to negligence, tampering or incorrect use are excluded from the warranty while manufacturer declines all responsibility for direct or indirect damages.

This limited warranty runs to the original purchaser from distributor only and it is not transferable or assignable.

The manufacturer reserves the right to decline responsibility when repairs have been made or attempted by others.

To the fullest extent allowed by the Chinese Law, the manufacturer shall not be liable for loss of use, cost of cover, lost profits, inconvenience, lost time, commercial loss or other incidental or consequential damages.

This warranty is exclusive and in lieu of all other expressed and implied.

Full warranty statements can be found in the respective Kernel manuals.

## Basic Specification

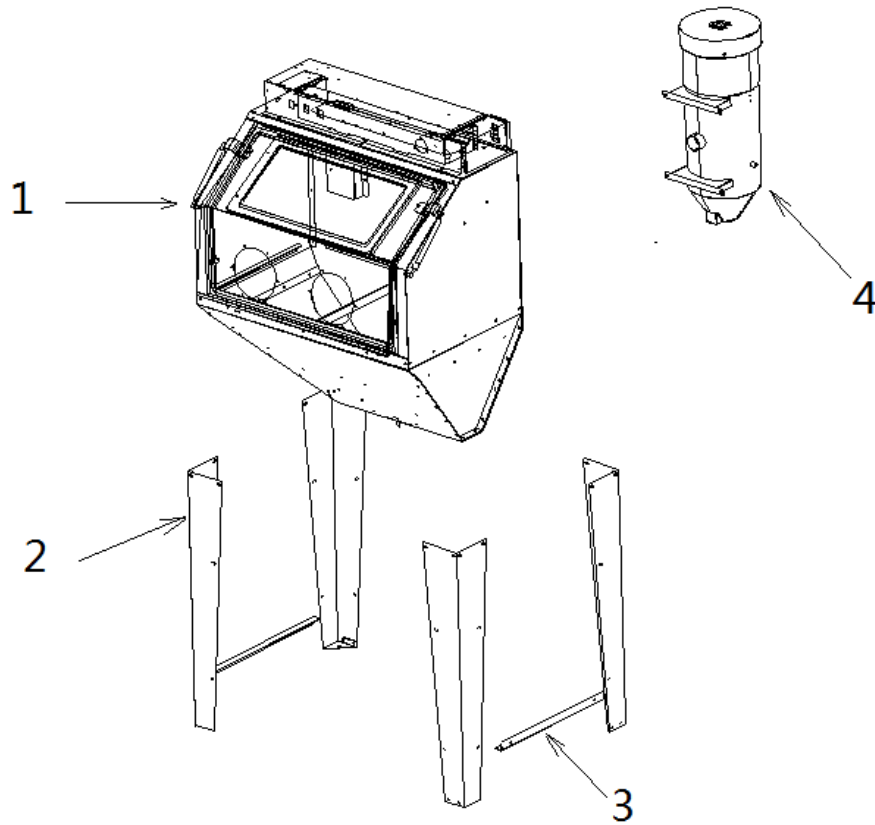
CHARACTERISTIC	VALUE
Overall dimensions	100*61*163 cm
Gross weight / Net weight	125Kg / 90Kg
Electrical power supply for lamp	115V/230V
Maximum operation pressure	125PSI

## SAFETY WARNIN & CAUTIONS

1. KEEP WORKING AREA CLEAN. CLUTTERED AREA INVITES INJURIES.
2. KEEP CHILDREN AWAY. All children should be kept away from the working area. Don't allow them handle tools.
3. WEAR GOGGLES OR SFETY GLASSES DURING OPERATION. WINDOW GLASS IS 5MM TEMPERED. BUT STILL MAY BREAK. Replace only with tempered or safety glass. Minimum thickness : 3.4mm
4. USE GROUNDED RECEPTACLE ONLY FOR ELECTRICAL HOOKUP. The lamp requires 110V/ 230V to light up.
5. REPLACE GLOVES. Cabinet gloves do wear easily. Replace them as necessary.
6. CLOSE AND LATCH DOOR DURING OPERATION.
7. DISCONNECT INCOMING AIR LINE WHEN ADDING ABRASIVE OR WHEN SERVICING HOSES, POWER GUN OR OTHER COMPONENTS.
8. MAXMUM OPERATION PRESSURE: 125 PSI.

# ASSEMBLING

## PARTS TO ASSEMBLE



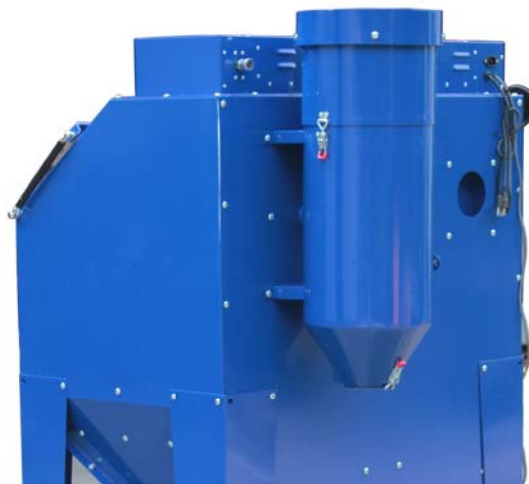
- 1) Cabinet ( already assembled)
- 2) Support leg
- 3) Leg connecting bar
- 4) Dust collect tank

## **STEP 1 LEGS**



First bolt on the legs on already assembled cabinet while it lying on pallet. Then up right it.

## **STEP 2 DUST COLLECTING TANK**



Then bolt on the dust collecting tank on the back of the cabinet. Connect the power cable from cabinet to the dust collecting tank.

**Now the cabinet is ready.**

## Preparing and testing

- 1) Hook up the electric power supply. (110V or 220V single phase, according to the specification). The cabinet must be grounded for safety.
- 2) Connect the compressed air to the cabinet. (Max. pressure 125 PSI, about 10CFM))
- 3) Close the abrasive clean out cover at the bottom of the bucket. Put the abrasive (glass bean) into the bucket.
- 4) Turn the light.
- 5) Close the door.
- 6) Through the gloves, pull the trigger of the blasting gun to see if the abrasive be jet out and in cycling.

Now the machine is ready for working.

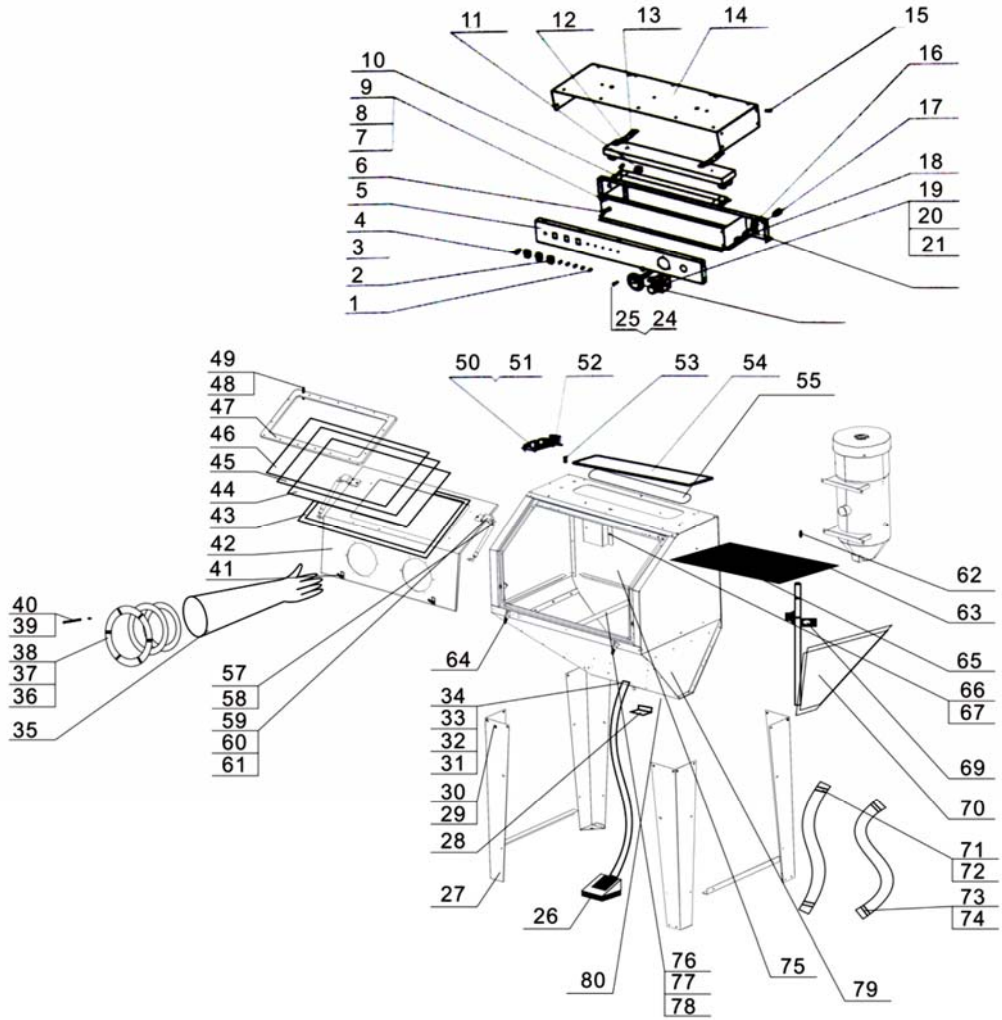
## Operation

1. Put the working piece on the mesh
2. Close the door with lock latch
3. With one hand in the glove holding the working piece (it is better through a handling bar or similar thing), another hand pull the trigger of the blasting gun aiming the working piece.
4. The abrasive will be jet towards the working piece as you wanted to remove the rust, paint or others on the surface of the piece.
5. After finished, waiting for the dust to be dropped down, open the door to take out the working piece.
6. Remember to turn off the light and shut off the compressed air supply.

## Maintenance

1. If the protecting film at the back of the screen is not clear, change it in necessary.
2. Regularly clean out the dust in the abrasive to make a better blasting effect.
3. Adding new abrasive when it is necessary.
4. When gloves worn out, please change with a pair of new one.
5. Always keep the spray nozzle of the gun in a good condition and changes when necessary.
- 6.

# PARTS DRAWING



## PARTS CODE LIST

ITEM	CODE	DESCRIPTION	QTY
1	272635*01-001	lamp cover indicator	
2	272635*01-002	switch	
3	272635*01-003	fuse case	
4	272635*01-004	fuse	
5	272635*01-005	lamp cover part 1#	
6	272635*01-006	lamp cover part 2#	
7	272635*01-007	lamp cover part 3#	
8	272635*01-008	lamp cover part 4#	
9	272635*01-009	lamp cover part 5#	
10	272635*01-010	lamp	
11	272635*01-011	socket	
12	272635*01-012	lamp shelf 1#	
13	272635*01-013	lamp shelf 2#	
14	272635*01-014	lamp cover board	
15	272635*01-015	screw	
16	272635*01-016	Connector plug	
17	272635*01-017	quick connector socket	
18	272635*01-018	Straight connector	
19	272635*01-019	air regulator	
20	272635*01-020	straight connector	
21	272635*01-021	angle connector	
22	272635*01-022	connector fixing board	
23	272635*01-023	pressure gauge	
24	272635*01-024	screw	
25	272635*01-025	nut	
26	272635*01-026	pedal switch	
27	272635*01-027	leg	
28	272635*01-028	cover of funnel	
29	272635*01-029	screw	
30	272635*01-030	nut	
31	272635*01-031	locking parts	
32	272635*01-032	screw	
33	272635*01-033	nut	
34	272635*01-034	washer	
35	272635*01-035	gloves	
36	272635*01-036	glove clamp	
37	272635*01-037	glove washer	
38	272635*01-038	glove socket	
39	272635*01-039	screw	
40	272635*01-040	nut	



ITEM	CODE	DESCRIPTION	QTY
41	272635*01-041	Latch seat	
42	272635*01-042	cabinet	
43	272635*01-043	window washer	
44	272635*01-044	protect film	
45	272635*01-045	glass	
46	272635*01-046	organic glass	
47	272635*01-047	window frame	
48	272635*01-048	screw	
49	272635*01-049	nut	
50	272635*01-050	circuit board	
51	272635*01-051	screw	
52	272635*01-052	transformer	
53	272635*01-053	line-locked	
54	272635*01-054	lamp cover glass	
55	272635*01-055	lamp over seal	
56	272635*01-056	dust collector	
57	272635*01-057	connector	
58	272635*01-058	angle connector	
59	272635*01-059	Electromagnet valve	
60	272635*01-060	straight connector	
61	272635*01-061	angle connector	
62	272635*01-062	1/4" connector	
63	272635*01-063	net	
64	272635*01-064	Door latch	
65	272635*01-065	movable gun	
66	272635*01-066	flexible metal pipe	
67	272635*01-067	fixed gun	
68	272635*01-068	door lock washer	
69	272635*01-069	abrasive suction pipe	
70	272635*01-070	funnel inside board	
71	272635*01-071	air hose	
72	272635*01-072	clamp	
73	272635*01-073	sand hose	
74	272635*01-074	clamp	
75	272635*01-075	cabinet	
76	272635*01-076	net parts 1#	
77	272635*01-077	net parts 2#	
78	272635*01-078	net parts 3#	
79	272635*01-079	cabinet	
80	272635*01-080	funnel soleplate	