

Model 272622  
(KERNEL)  
**SAND BLAST CABINET**  
( 220L )  
ASSEMBLY & OPERATION  
INSTRUCTION  
(1<sup>st</sup> version)



October 2014

## **PRODUCT LIMITED WARRANTY**

The product is guaranteed for 12 months from date of manufacturer exporting invoice against defects in workmanship and /or materials for the structural components when the product is installed and used according to manufacturer's specifications.

Manufacturer's obligation under this warranty is limited to repairing or replacing any part or parts returned to manufacturer authorized locations, with prove of purchase, freight prepaid which prove upon inspection to be defective and which have not been misused.

Damage or failure to any part due to freight damage or faulty maintenance is not covered under this warranty. This warranty does not extend to defects caused by ordinary wear, abuse, misuse, improper installation or altered, unauthorized software updating, using improper fluid; any cosmetic defect not interfering with equipment functional or any incidental, indirect, or consequential loss that may result from any defect, failure or malfunction of the product or the breath or delay in performance of the warranty. This warranty does not apply to any product, which has been altered or used with special attachments other than recommended by the manufacturer.

All faults due to negligence, tampering or incorrect use are excluded from the warranty while manufacturer declines all responsibility for direct or indirect damages.

This limited warranty runs to the original purchaser from distributor only and it is not transferable or assignable.

The manufacturer reserves the right to decline responsibility when repairs have been made or attempted by others.

To the fullest extent allowed by the Chinese Law, the manufacturer shall not be liable for loss of use, cost of cover, lost profits, inconvenience, lost time, commercial loss or other incidental or consequential damages.

This warranty is exclusive and in lieu of all other expressed and implied.

Full warranty statements can be found in the respective Kernel manuals.

## Basic Specification

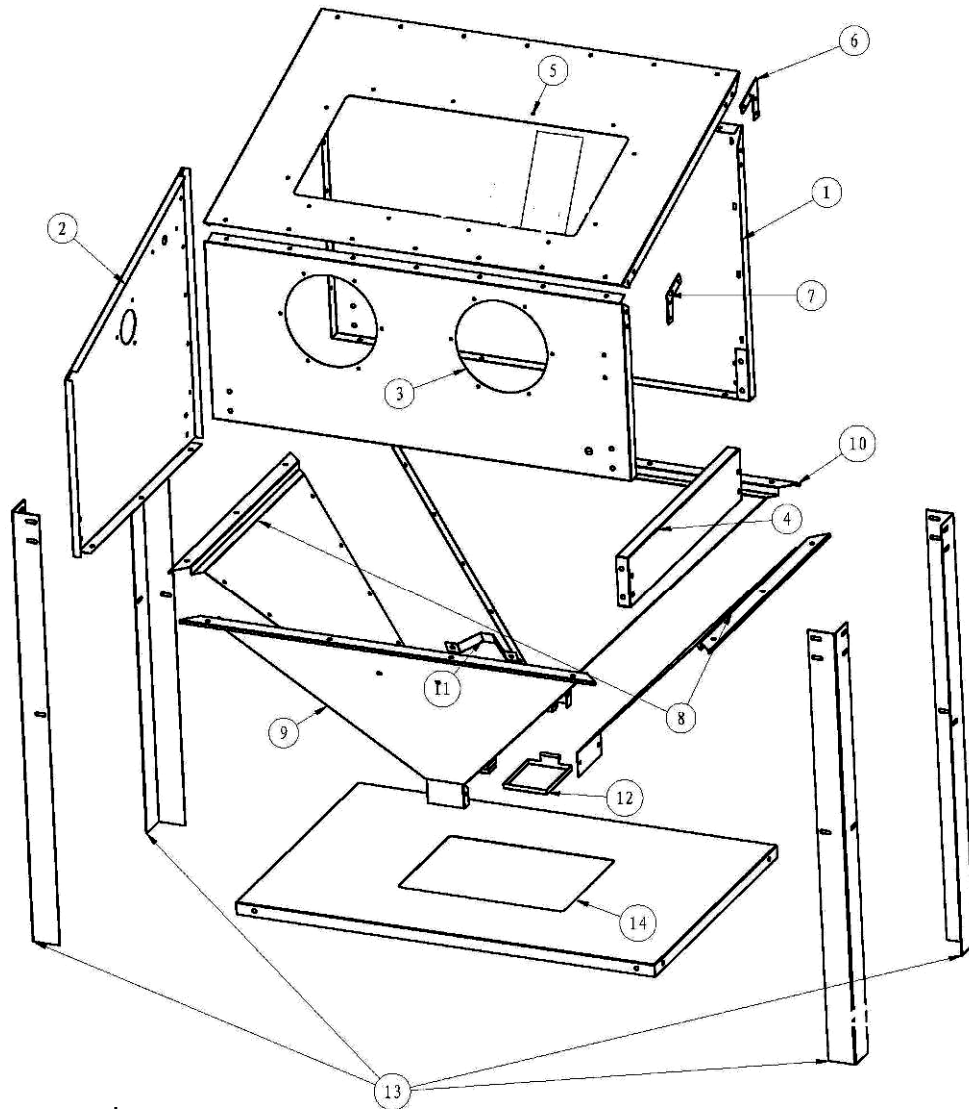
CHARACTERISTIC	VALUE
Overall dimensions	860*550*1390 mm
Gross weight / Net weight	51Kg / 48Kg
Electrical power supply for lamp	115V/230V
Maximum operation pressure	125PSI

## SAFETY WARNIN & CAUTIONS

1. KEEP WORKING AREA CLEAN. CLUTTERED AREA INVITES INJURIES.
2. KEEP CHILDREN AWAY. All children should be kept away from the working area. Don't allow them handle tools.
3. WEAR GOGGLES OR SFETY GLASSES DURING OPERATION. WINDOW GLASS IS 5MM TEMPERED. BUT STILL MAY BREAK. Replace only with tempered or safety glass. Minimum thickness : 3.4mm
4. USE GROUNDED RECEPTACLE ONLY FOR ELECTRICAL HOOKUP. The lamp requires 110V/ 230V to light up.
5. REPLACE GLOVES. Cabinet gloves do wear easily. Replace them as necessary.
6. CLOSE AND LATCH DOOR DURING OPERATION.
7. DISCONNECT INCOMING AIR LINE WHEN ADDING ABRASIVE OR WHEN SERVICING HOSES, POWER GUN OR OTHER COMPONENTS.
8. MAXMUM OPERATION PRESSURE: 125 PSI.

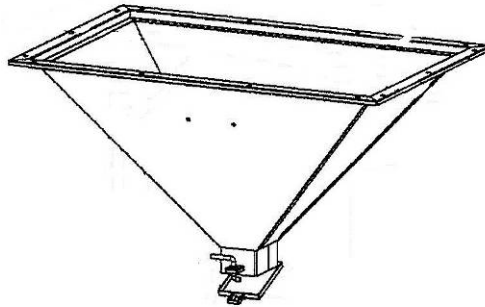
# ASSEMBLING

## STEP 1 PARTS TO ASSEMBLE



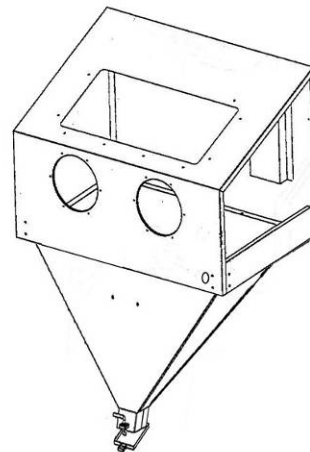
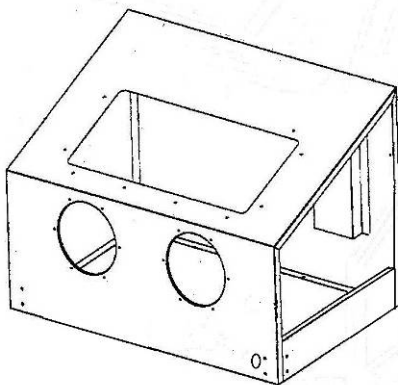
- 1) Rear panel
- 2) Left side panel
- 3) Front panel
- 4) Right side panel
- 5) Parts viewing window
- 6) & 7) Corner bracket
- 8) Left/ right plate of the bucket
- 9) Front plate of the bucket
- 10) Rear plate of bucket
- 11) Bracket of the sandblasting tube
- 12) Clean-out door
- 13) Support legs
- 14) Storage shelf

## STEP 1 BUCKET/FUNNEL



Put the parts 8#,9# and 10# together to form the bucket with bolts and nuts.

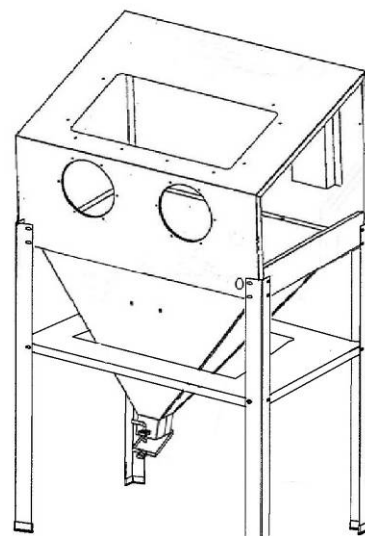
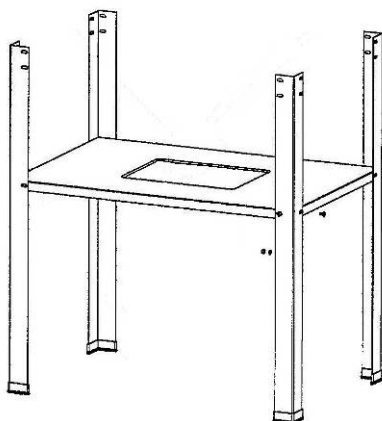
## STEP 2 CABINET



First put the parts 1#, 2#, 3#, 4#, 6# and 7# together to form the cabinet with bolts and nuts.

Then mount the cabinet on the bucket with bolts and nuts.

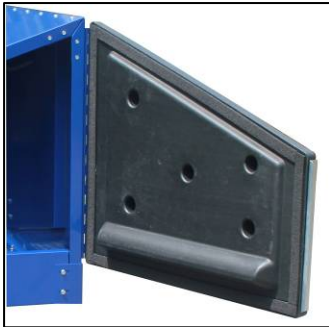
## STEP 3 LEGS



Put on the legs 13# on the cabinet, Then mount the storage shelf 14#.

## STEP 4 ACCESSORY

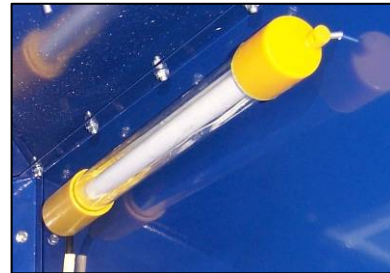
1) Mount on the rubber door through the hinge.



(1)



(2)



(3).

2) Bolt on the lock catch for the door.

3) Fix the lamp by screws inside the cabinet.

4) Bolt on the gloves through the flanges and clamps .



(4)



(5), (7)

5) Put on the mesh inside the cabinet.

6) Screw on the compressed air connector.

7) Connect the abrasive gun with the compressed air hose and the suck pipe.

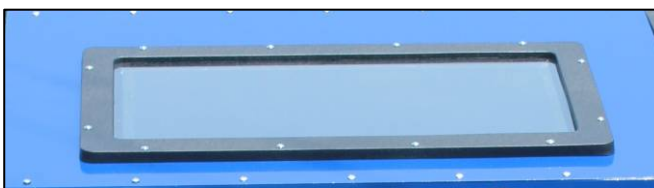
8) Put on other small items such as covers, the screen protect film (stick at inside) ..



(6)



(8-1)



(8-2)

**Now the cabinet is ready.**

## Preparing and testing

- 1) Hook up the electric power supply. (110V or 220V single phase, according to the specification). The cabinet must be grounded for safety.
- 2) Connect the compressed air to the cabinet. (Max. pressure 125 PSI, about 10CFM))
- 3) Close the abrasive clean out cover at the bottom of the bucket. Put the abrasive (glass bean) into the bucket.
- 4) Turn the light.
- 5) Close the door.
- 6) Through the gloves, pull the trigger of the blasting gun to see if the abrasive be jet out and in cycling.

Now the machine is ready for working.

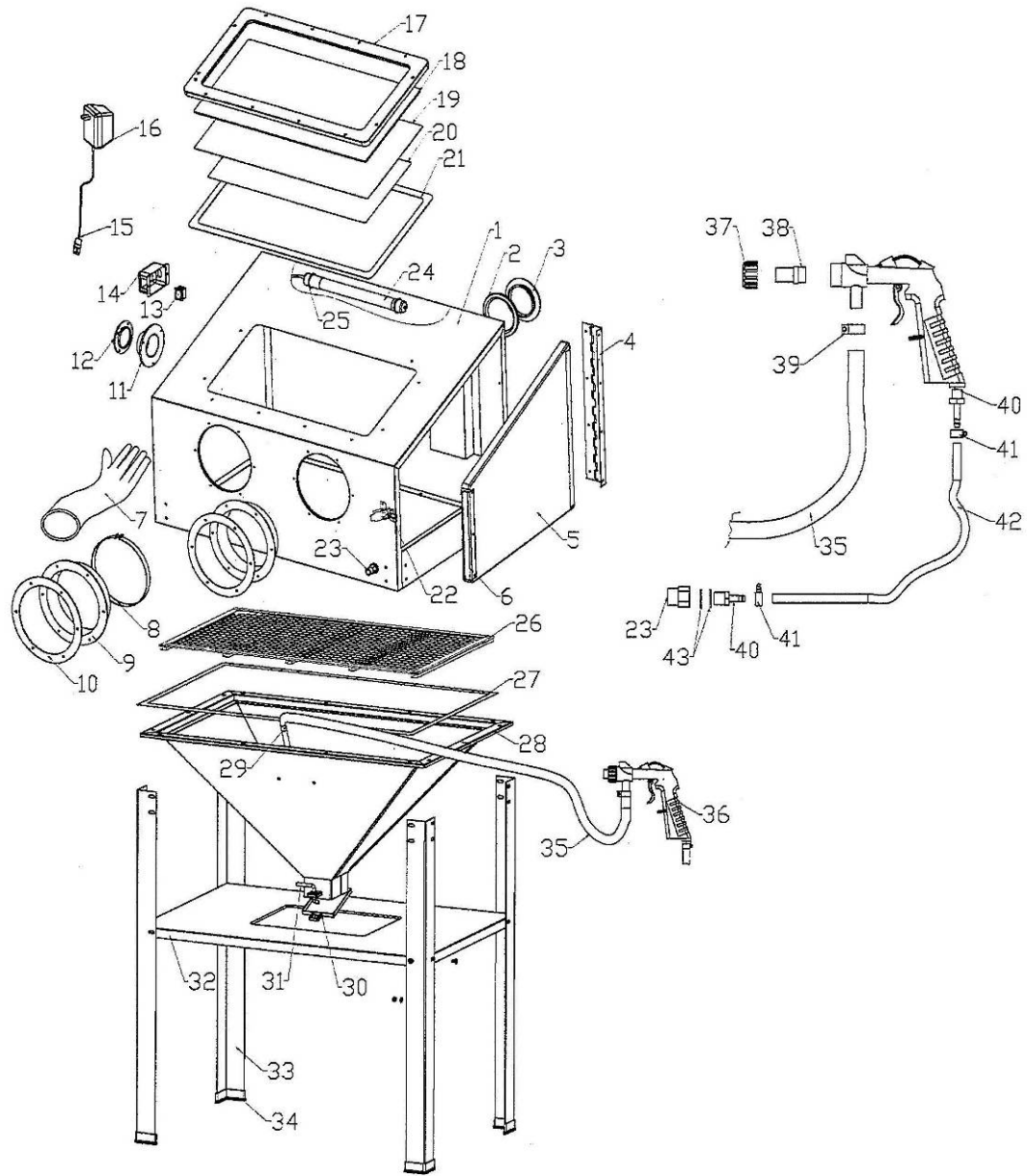
## Operation

1. Put the working piece on the mesh
2. Close the door with lock latch
3. With one hand in the glove holding the working piece (it is better through a handling bar or similar thing), another hand pull the trigger of the blasting gun aiming the working piece.
4. The abrasive will be jet towards the working piece as you wanted to remove the rust, paint or others on the surface of the piece.
5. After finished, waiting for the dust to be dropped down, open the door to take out the working piece.
6. Remember to turn off the light and shut off the compressed air supply.

## Maintenance

1. If the protecting film at the back of the screen is not clear, change it in necessary.
2. Regularly clean out the dust in the abrasive to make a better blasting effect.
3. Adding new abrasive when it is necessary.
4. When gloves worn out, please change with a pair of new one.
5. Always keep the spray nozzle of the gun in a good condition and changes when necessary.
- 6.

# PARTS DRAWING





## PARTS CODE LIST

ITEM	CODE	DESCRIPTION	QTY
1	272622*01-001	cabinet	1
2	272622*01-002	guard ring of intake vent	1
3	272622*01-003	cover of behind intake vent	1
4	272622*01-004	hinge	1
5	272622*01-005	plastic door	1
6	272622*01-006	metal liner	1
7	272622*01-007	gloves, pair	2
8	272622*01-008	clamp for glove	2
9	272622*01-009	mounting ring glove	2
10	272622*01-010	rubber insert	1
11	272622*01-011	suction flange	1
12	272622*01-012	cover of suction flange	1
13	272622*01-013	switch	1
14	272622*01-014	switch box low voltage	1
15	272622*01-015	plug low voltage	1
16	272622*01-016	adaptor	1
17	272622*01-017	plastic frame	1
18	272622*01-018	Plexiglas	1
19	272622*01-019	glass	1
20	272622*01-020	protection film	1
21	272622*01-021	sealant cotton	1
22	272622*01-022	knob	1
23	272622*01-023	air adapter nut	1
24	272622*01-024	light low voltage	1
25	272622*01-025	light clamp	2
26	272622*01-026	steel screen	1
27	272622*01-027	sealant cotton	1
28	272622*01-028	cabinet funnel	1
29	272622*01-029	abrasive suction pipe	1
30	272622*01-030	abrasive removal cover	1
31	272622*01-031	cover lock	1
32	272622*01-032	shelf	1
33	272622*01-033	legs	4
34	272622*01-034	feet	4
35	272622*01-035	abrasive intake hose	1
36	272622*01-036	abrasive gun	1
37	272622*01-037	nozzle adapter nut	1
38	272622*01-038	nozzle	4
39	272622*01-039	clamp(Φ20)	1

ITEM	CODE	DESCRIPTION	QTY
40	272622*01-040	air hose adapter	2
41	272622*01-041	clamp (Φ 10-Φ13)	2
42	272622*01-042	air hose adapter	1
43	272622*01-043	flat washer	2